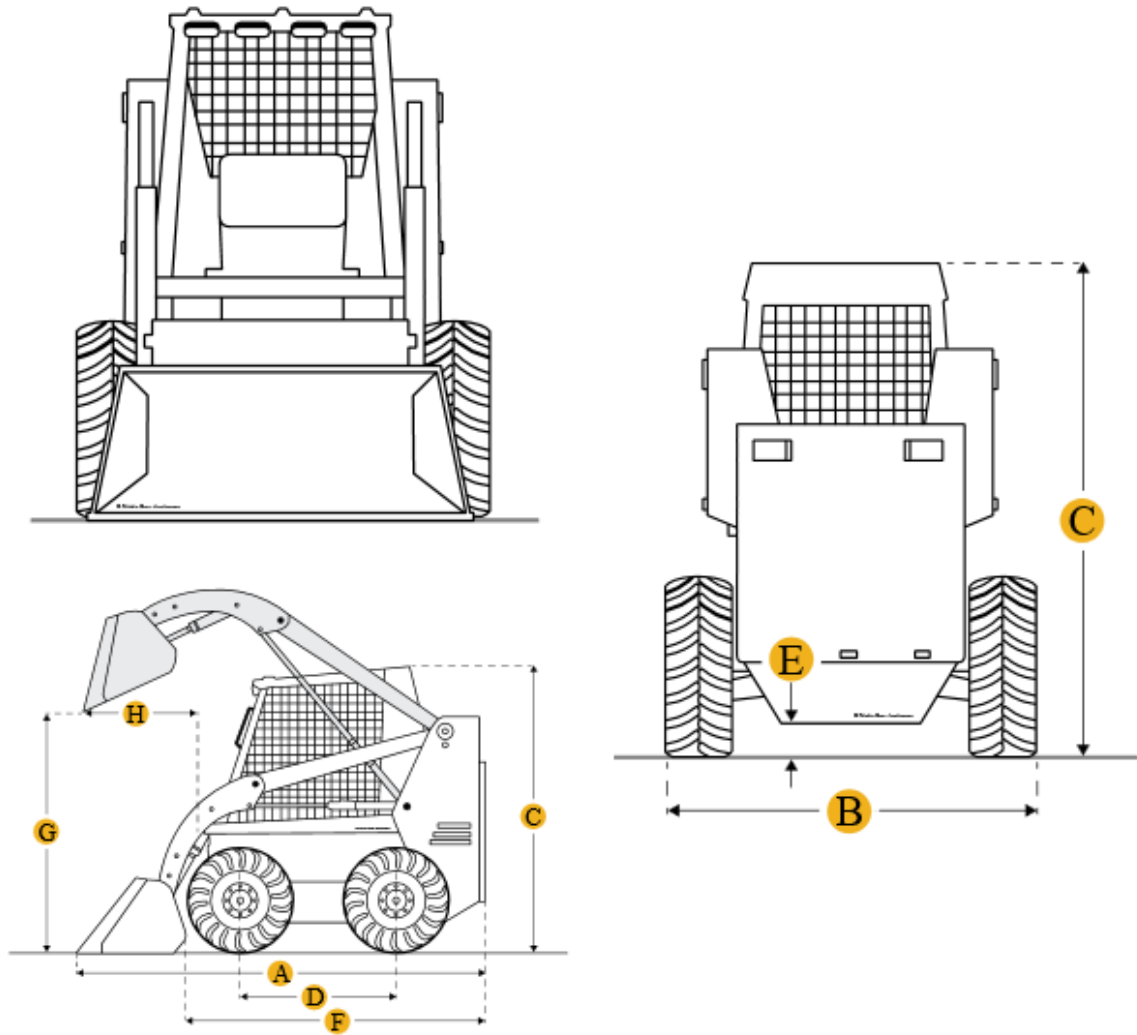


## Caterpillar 242 Skid Steer Loader



### Dimensions

Dimensions	
<b>A</b> Length with Bucket	11.28 ft in
<b>B</b> Width Over Tires	5.01 ft in
<b>C</b> Height to Top of Cab	6.52 ft in
<b>D</b> Wheelbase	3.73 ft in
<b>E</b> Ground Clearance	7 in
<b>F</b> Length w/o Bucket	9.11 ft in
<b>G</b> Clearance at Max Lift and Dump	7.47 ft in
<b>H</b> Reach at Max Lift and Dump	30.16 in

## Engine

<b>Number of Cylinders</b>	4
<b>Engine Make</b>	2236
<b>Engine Model</b>	3034
<b>Gross Power</b>	58 hp
<b>Net Power</b>	54 hp
<b>Power Measured @</b>	2600 rpm
<b>Displacement</b>	183 cu in
<b>Bore</b>	3.9 in
<b>Stroke</b>	4 in
<b>Engine Model</b>	Cat 3034C
<b>Net Flywheel Power</b>	54 hp

## Operational

<b>Operational Weight</b>	6931 lb
<b>Fuel Capacity</b>	17.2 gal
<b>Hydraulic System Fluid Capacity</b>	14.6 gal
<b>Operating Speed</b>	6.9 mph
<b>Max Speed</b>	6.9 mph

## Weights

<b>Operating Weight</b>	6858.5 lb
-------------------------	-----------

## Loader

<b>Operating Load Rating</b>	2000 lb
<b>Tipping Angle</b>	3770 degrees
<b>Bucket Capacity</b>	0.6 yd3

## Hydraulic System

<b>Loader Hydraulic Pressure</b>	3300 psi
<b>Loader Hydraulic Flow</b>	15.1 gal/min

## Hydraulic

<b>Pump Flow Capacity</b>	15.2 gal/min
---------------------------	--------------

## Dimensions

<b>Length with Bucket</b>	11.3 ft in
<b>Length w/o Bucket</b>	9.2 ft in
<b>Width Over Tires</b>	5.1 ft in
<b>Height to Top of Cab</b>	6.6 ft in
<b>Clearance at Max Lift and Dump</b>	7.5 ft in
<b>Wheelbase</b>	3.8 ft in
<b>Ground Clearance</b>	7 in
<b>Reach at Max Lift and Dump</b>	30.2 in
<b>Turning Radius from Center - inc bucket</b>	88.8 in
<b>Wheel Base</b>	3.6 ft in
<b>Bucket Pin Height - Maximum Lift</b>	10 ft in
<b>Height - Top of Cab</b>	6.6 ft in
<b>Length - Without Bucket</b>	109.3 in
<b>Length - With Bucket on Ground</b>	135.3 in
<b>Maximum Overall Height</b>	154.6 in
<b>Bucket Pin Height - Carry Position</b>	11.8 in
<b>Clearance at Maximum Lift and Dump</b>	88.2 in
<b>Reach - Maximum Lift/Dump</b>	29.9 in
<b>Vehicle Width over Tires</b>	66 in
<b>Bumper Overhang - Rear Axle</b>	38.9 in

## Operating Specifications

<b>Rated Operating Capacity with Optional Counterweight</b>	2047 lb
<b>Tipping Load</b>	4000 lb
<b>Breakout Force - Tilt Cylinder</b>	4056 lb
<b>Breakout Force - Lift Cylinder</b>	3814 lb
<b>Rated Operating Capacity</b>	2000 lb

**Service Refill Capacities**

<b>Cooling System</b>	24 gal
-----------------------	--------

<b>Fuel Tank</b>	18.2 gal
------------------	----------

<b>Hydraulic Tank</b>	9.2 gal
-----------------------	---------

<b>Engine Crankcase</b>	2.1 gal
-------------------------	---------

<b>Hydraulic System</b>	15.3 gal
-------------------------	----------

<b>Chain Box - Each Side</b>	1.6 gal
------------------------------	---------

**Cab**

<b>ROPS</b>	SAE J1040 MAY94 and ISO3471:1994
-------------	----------------------------------

<b>FOPS</b>	SAEJ/ISO 3449 APR98 Level I and ISO3449:1992 Level I
-------------	--

<b>FOPS Level II</b>	SAEJ/ISO 3449 APR 98 Level II and ISO 3449:1992 Level II (optional)
----------------------	---