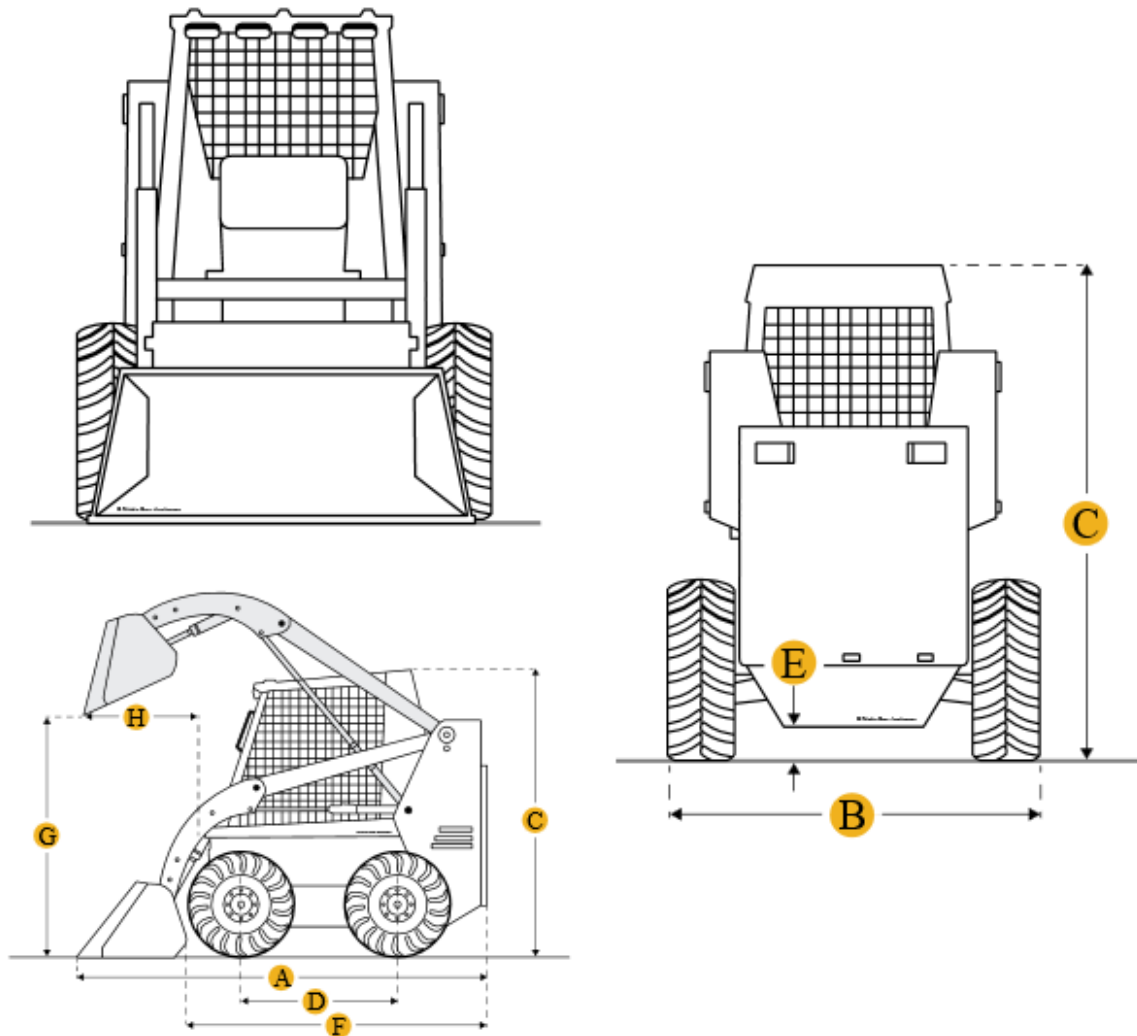


## Caterpillar 226B Skid Steer Loader



### Dimensions

Dimensions	
<b>A</b> Length with Bucket	10.61 ft in
<b>B</b> Width Over Tires	5.01 ft in
<b>C</b> Height to Top of Cab	6.4 ft in
<b>D</b> Wheelbase	3.24 ft in
<b>E</b> Ground Clearance	7.68 in
<b>F</b> Length w/o Bucket	8.27 ft in
<b>G</b> Clearance at Max Lift and Dump	7.12 ft in
<b>H</b> Reach at Max Lift and Dump	19.89 in

## Specifications

### Engine

<b>Engine Make</b>	2236
<b>Engine Model</b>	3024C T
<b>Gross Power</b>	61.7 hp
<b>Net Power</b>	57.7 hp
<b>Aspiration</b>	turbocharged

### Operational

<b>Operational Weight</b>	5833.5 lb
<b>Fuel Capacity</b>	17.2 gal
<b>Cooling System Fluid Capacity</b>	2.7 gal
<b>Engine Oil Fluid Capacity</b>	2.2 gal
<b>Hydraulic System Fluid Capacity</b>	14.6 gal
<b>Chain Box Fluid Capacity - each side</b>	1.6 gal
<b>Max Speed</b>	7.9 mph
<b>Tire Size</b>	10x16.5 6PR
<b>Operating Voltage</b>	12 V
<b>Alternator Supplied Amperage</b>	85 amps

### Loader

<b>Breakout Force</b>	4083
<b>Operating Load Rating</b>	1499.2 lb
<b>Tipping Angle</b>	2998.3 degrees

### Hydraulic

<b>Pump Flow Capacity</b>	15.9 gal/min
<b>Relief Valve Pressure</b>	3335.9 psi

## Dimensions

<b>Length with Bucket</b>	10.7 ft in
<b>Length w/o Bucket</b>	8.3 ft in
<b>Width Over Tires</b>	5.1 ft in
<b>Height to Top of Cab</b>	6.4 ft in
<b>Clearance at Max Lift and Dump</b>	7.2 ft in
<b>Wheelbase</b>	3.3 ft in
<b>Ground Clearance</b>	7.7 in
<b>Reach at Max Lift and Dump</b>	19.9 in
<b>Turning Radius from Center - machine rear</b>	58.5 in
<b>Turning Radius from Center - inc bucket</b>	76.4 in